



A

Pump body in cast iron and motor casing in die-cast aluminium.

Technopolymer impeller and tempered stainless steel driving shaft mounted on graphite brushings lubricated by the pumped liquid itself.

Flanged vents, (threaded series A), provided with threaded connectors for controlling gauges. Stainless steel protective rotor sleeve, stator sleeve and closing flange. Ceramic thrust bearing, E.P.D.M. "O" rings and brass air outlet cap.

The two-pole asynchronous motor with wet rotors designed for **three-speed** operation, single-phase version, for **two-speed** operation, for three-phase version. Thermal overload protection incorporated in the single phase version.

In the twin version an automatic clapet type valve and blank flange are provided.

Operating range: from 1 to 12 m³/h with head up to 11 metres.

Liquid temperature range: from -10°C to +110°C.
Pumped liquid characteristics: clean, free from solids and mineral oils, not viscous, chemically neutral, close to the characteristics of water (max 30% glycol).

Maximum working pressure: 10 bar (1000 kPa).

Protection level: IP 44.

Insulation class: F.

Cable grommet: PG 11.

Installation: with motor axis horizontal.

TECHNICAL DATA - A SINGLE WITH UNIONS

MODEL	CODE	CENTRE DISTANCE mm	PUMP COUPLINGS	ELECTRICAL DATA							MINIMUM HEAD PRESSURE
				VOLTAGE 50 Hz	SPEED	n r.p.m. 1/min	P1 MAX W	In A	CAPACITOR		
									µF	Vc	
A 50/180 M	505803001	180	1 1/2" G	1 x 230V ~	3	2766	195	0,95	4	400	t° +90°C m.c.a. 1,5
					2	2616	194	0,95			
					1	2215	180	0,85			
A 50/180 XM	505802041	180	2" G	1 x 230V ~	3	2791	184	0,92	4	400	t° +90°C m.c.a. 1,5
					2	2651	189	0,92			
					1	2297	168	0,80			
A 50/180 T	505803601	180	1 1/2" G	3x400V ~	2	2827	197	0,52	-	-	t° +90°C m.c.a. 1,5
					1	2502	139	0,25			
A 50/180 XT	505802671	180	2" G	3x400V ~	2	2838	201	0,50	-	-	t° +90°C m.c.a. 1,5
					1	2520	129	0,23			
A 56/180 M	505805001	180	1 1/2" G	1 x 230V ~	3	2636	282	1,23	7	400	t° +90°C m.c.a. 1,5
					2	2226	287	1,30			
					1	1485	228	1,06			
A 56/180 XM	505804041	180	2" G	1 x 230V ~	3	2658	271	1,18	7	400	t° +90°C m.c.a. 1,5
					2	2117	294	1,32			
					1	1394	224	1,00			
A 56/180 T	505805601	180	1 1/2" G	3x400V ~	2	2704	297	0,60	-	-	t° +90°C m.c.a. 1,5
					1	2178	200	0,33			
A 56/180 XT	505804671	180	2" G	3x400V ~	2	2708	291	0,60	-	-	t° +90°C m.c.a. 1,5
					1	2178	200	0,32			
A 80/180 M	505807001	180	1 1/2" G	1 x 230V ~	3	2674	264	1,15	7	400	t° +90°C m.c.a. 2,5
					2	2356	262	1,20			
					1	1615	223	1,00			
A 80/180 XM	505806041	180	2" G	1 x 230V ~	3	2683	256	1,12	7	400	t° +90°C m.c.a. 2,5
					2	2374	260	1,17			
					1	1688	218	1,00			
A 80/180 T	505807601	180	1 1/2" G	3x400V ~	2	2724	271	0,57	-	-	t° +90°C m.c.a. 2,5
					1	2226	187	0,31			
A 80/180 XT	505806671	180	2" G	3x400V ~	2	2727	272	0,57	-	-	t° +90°C m.c.a. 2,5
					1	2227	186	0,30			
A 110/180 M	505808001	180	1 1/2" G	1 x 230V ~	3	2746	410	1,77	12	450	t° +90°C m.c.a. 2,5
					2	2552	393	1,78			
					1	2052	361	1,64			

A - B - D

WET ROTOR CIRCULATORS

MODEL	CODE	CENTRE DISTANCE mm	PUMP COUPLINGS	ELECTRICAL DATA							MINIMUM HEAD PRESSURE
				VOLTAGE 50 Hz	SPEED	n r.p.m. 1/min	P1 MAX W	In A	CAPACITOR		
									µF	Vc	
A 110/180 XM	505809001	180	2"G	1 x 230 V ~	3	2746	410	1,77	12	450	t° +90°C m.c.a. 2,5
					2	2552	393	1,78			
					1	2052	361	1,64			
A 110/180 T	505808601	180	1 1/2"G	3x400 V ~	2	2759	403	0,88	-	-	t° +90°C m.c.a. 2,5
					1	2341	289	0,48			
A 110/180 XT	505809601	180	2"G	3x400 V ~	2	2759	403	0,90	-	-	t° +90°C m.c.a. 2,5
					1	2341	289	0,48			

TECHNICAL DATA - B SINGLE WITH OVAL FLANGES



B

MODEL	CODE	CENTRE DISTANCE mm	PUMP COUPLINGS	ELECTRICAL DATA							MINIMUM HEAD PRESSURE
				VOLTAGE 50 Hz	SPEED	n r.p.m. 1/min	P1 MAX W	In A	CAPACITOR		
									µF	Vc	
B 50/250.40 M	505812041	250	DN 40	1 x 230 V ~	3	2766	195	0,95	2,5	400	t° +90°C m.c.a. 1,5
					2	2616	194	0,95			
					1	2215	180	0,85			
B 50/250.40 T	505812671	250	DN 40	3x400 V ~	2	2827	197	0,52	-	-	t° +90°C m.c.a. 1,5
					1	2502	139	0,25			
B 56/250.40 M	505814041	250	DN 40	1 x 230 V ~	3	2636	282	1,23	7	400	t° +90°C m.c.a. 1,5
					2	2226	287	1,30			
					1	1485	228	1,06			
B 56/250.40 T	505814671	250	DN 40	3x400 V ~	2	2704	297	0,60	-	-	t° +90°C m.c.a. 1,5
					1	2178	200	0,33			
B 80/250.40 M	505816041	250	DN 40	1 x 230 V ~	3	2674	264	1,15	7	400	t° +90°C m.c.a. 2,5
					2	2356	262	1,20			
					1	1615	223	1,00			
B 80/250.40 T	505816671	250	DN 40	3x400 V ~	2	2724	271	0,57	-	-	t° +90°C m.c.a. 2,5
					1	2226	187	0,31			
B 110/250.40 M	505818001	250	DN 40	1 x 230 V ~	3	2746	410	1,77	12	450	t° +90°C m.c.a. 2,5
					2	2552	393	1,78			
					1	2052	361	1,64			
B 110/250.40 T	505818601	250	DN 40	3x400 V ~	2	2759	403	0,90	-	-	t° +90°C m.c.a. 2,5
					1	2341	289	0,48			

TECHNICAL DATA - D TWIN WITH FLANGES

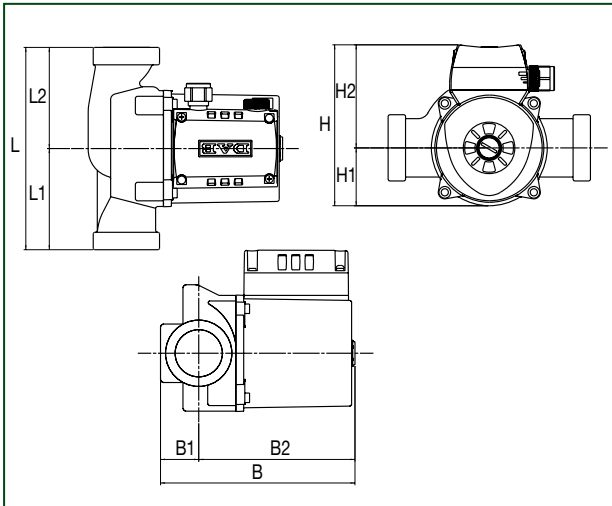


D

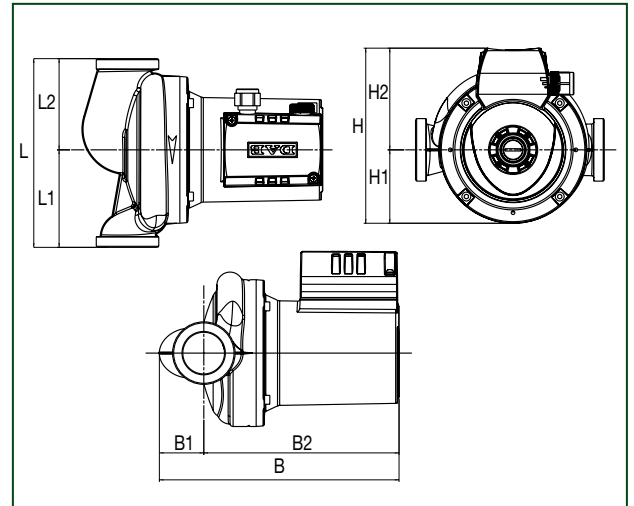
MODEL	CODE	CENTRE DISTANCE mm	PUMP COUPLINGS	ELECTRICAL DATA							MINIMUM HEAD PRESSURE
				VOLTAGE 50 Hz	SPEED	n.r.p.m. 1/min	P1 MAX W	In A	CAPACITOR		
									μF	Vc	
D 50/250.40 M	505822041	250	DN 40 - PN 10	1 x 230 V ~	3	2766	195	0,95	2,5	400	t° +90°C m.c.a. 1,5
					2	2616	194	0,95			
					1	2215	180	0,85			
D 50/250.40 T	505822671	250	DN 40 - PN 10	3x400 V ~	2	2827	197	0,52	-	-	t° +90°C m.c.a. 1,5
					1	2502	139	0,25			
D 56/250.40 M	505824041	250	DN 40 - PN 10	1 x 230 V ~	3	2636	282	1,23	7	400	t° +90°C m.c.a. 1,5
					2	2226	287	1,30			
					1	1485	228	1,06			
D 56/250.40 T	505824671	250	DN 40 - PN 10	3x400 V ~	2	2704	297	0,60	-	-	t° +90°C m.c.a. 1,5
					1	2178	200	0,33			
D 80/250.40 M	505826041	250	DN 40 - PN 10	1 x 230 V ~	3	2674	264	1,15	7	400	t° +90°C m.c.a. 2,5
					2	2356	262	1,20			
					1	1615	223	1,00			
D 80/250.40 T	505826671	250	DN 40 - PN 10	3x400 V ~	2	2724	271	0,57	-	-	t° +90°C m.c.a. 2,5
					1	2226	187	0,31			
D 110/250.40 M	505828001	250	DN 40 - PN 10	1 x 230 V ~	3	2746	410	1,77	12	450	t° +90°C m.c.a. 2,5
					2	2552	393	1,78			
					1	2052	361	1,64			
D 110/250.40 T	505828601	250	DN 40 - PN 10	3x400 V ~	2	2759	403	0,90	-	-	t° +90°C m.c.a. 2,5
					1	2341	289	0,48			

DIMENSIONS AND WEIGHT

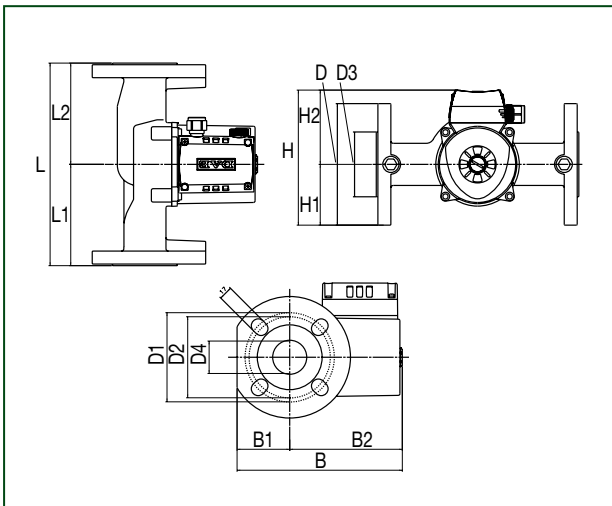
A 50-56-80/...M-T



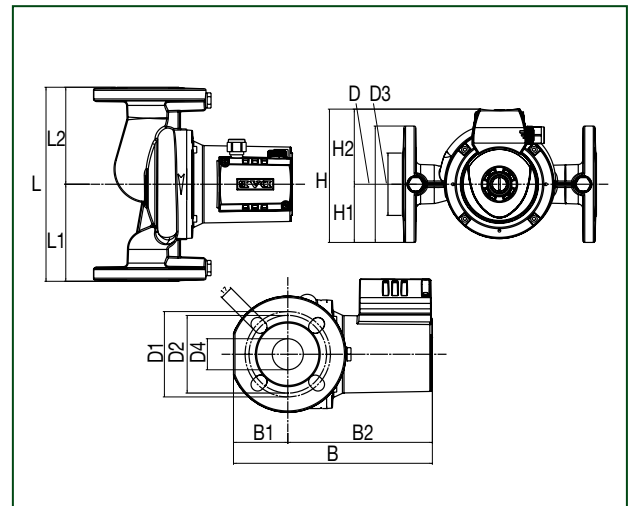
A 110/...M-T



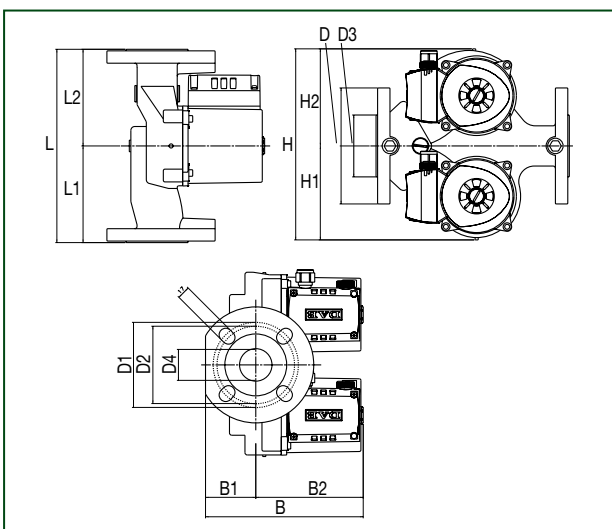
B 50-56-80/...M-T



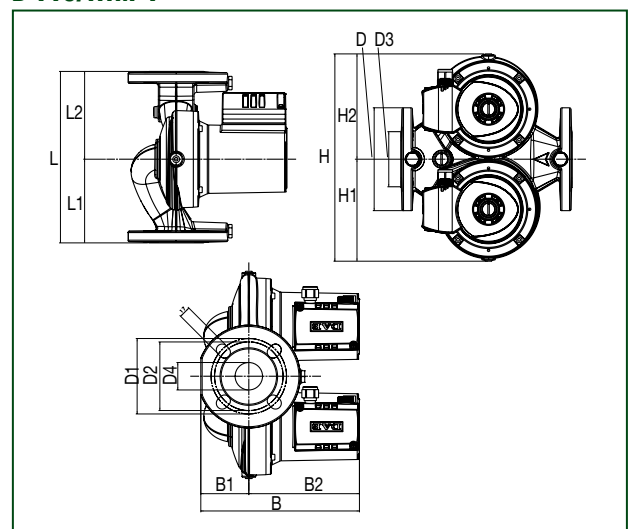
B 110/...M-T



D 50-56-80/...M-T



D 110/...M-T



A - B - D

WET ROTOR CIRCULATORS

MODEL	L	L1	L2	A	B	B1	B2	D	D1	D2	D3	D4	H	H1	H2	F	WEIGHT KG	Q.TY x PALLET
A 50/180 XM	180	90	90	-	173	34	139	-	-	-	-	-	143	52	92	2"G	5,3	115
A 50/180 M	180	90	90	-	173	34	139	-	-	-	-	-	143	52	92	1"1/2	5,0	115
A 50/180 XT	180	90	90	-	173	34	139	-	-	-	-	-	143	52	92	2"G	5,2	115
A 50/180 T	180	90	90	-	173	34	139	-	-	-	-	-	143	52	92	1"1/2	5,3	115
A 56/180 XM	180	90	90	-	173	34	139	-	-	-	-	-	143	52	92	2"G	5,3	115
A 56/180 M	180	90	90	-	173	34	139	-	-	-	-	-	143	52	92	1"1/2	5,3	115
A 56/180 XT	180	90	90	-	173	34	139	-	-	-	-	-	143	52	92	2"G	5,3	115
A 56/180 T	180	90	90	-	173	34	139	-	-	-	-	-	143	52	92	1"1/2	5,2	115
A 80/180 XM	180	90	90	-	173	34	139	-	-	-	-	-	143	52	92	2"G	5,3	115
A 80/180 M	180	90	90	-	173	34	139	-	-	-	-	-	143	52	92	1"1/2	5,3	115
A 80/180 XT	180	90	90	-	173	34	139	-	-	-	-	-	143	52	92	2"G	5,3	115
A 80/180 T	180	90	90	-	173	34	139	-	-	-	-	-	143	52	92	1"1/2	5,2	115
A 110/180 M	180	93	87	-	229	42	186	-	-	-	-	-	167	70	97	1"1/2	5,3	54
A 110/180 XM	180	93	87	-	229	42	186	-	-	-	-	-	167	70	97	2"G	5,3	54
A 110/180 T	180	93	87	-	229	186	42	-	-	-	-	-	163	70	93	1"1/2	5,2	54
A 110/180 XT	180	93	87	-	229	186	42	-	-	-	-	-	163	70	93	2"G	5,2	54

MODEL	L	L1	L2	A	B	B1	B2	D	D1	D2	D3	D4	H	H1	H2	F	WEIGHT KG	Q.TY x PALLET
B 50/250.40 M	250	125	125	-	204	65	139	150	110	100	80	40	167	75	92	DN40/PN10	9,1	42
B 50/250.40 T	250	125	125	-	204	65	139	150	110	100	80	40	167	75	92	DN40/PN10	9,3	42
B 56/250.40 M	250	125	125	-	204	65	139	150	110	100	80	40	167	75	92	DN40/PN10	9,3	42
B 56/250.40 T	250	125	125	-	204	65	139	150	110	100	80	40	167	75	92	DN40/PN10	9,2	42
B 80/250.40 M	250	125	125	-	204	65	139	150	110	100	80	40	167	75	92	DN40/PN10	9,3	42
B 80/250.40 T	250	125	125	-	204	65	139	150	110	100	80	40	167	75	92	DN40/PN10	9,3	42
B 110/250.40 M	250	125	125	-	256	70	186	150	110	100	80	40	172	75	97	DN40/PN10	9,2	42
B 110/250.40 T	250	125	125	-	256	70	186	150	110	100	80	40	168	75	93	DN40/PN10	9,3	42

MODEL	L	L1	L2	A	B	B1	B2	D	D1	D2	D3	D4	H	H1	H2	F	WEIGHT KG	Q.TY x PALLET
D 50/250.40 M	250	125	125	-	204	65	139	150	110	100	80	40	247	122	126	DN40/PN10	15,3	24
D 50/250.40 T	250	125	125	-	204	65	139	150	110	100	80	40	247	122	126	DN40/PN10	15,8	24
D 56/250.40 M	250	125	125	-	204	65	139	150	110	100	80	40	247	122	126	DN40/PN10	15,8	24
D 56/250.40 T	250	125	125	-	204	65	139	150	110	100	80	40	247	122	126	DN40/PN10	15,4	24
D 80/250.40 M	250	125	125	-	204	65	139	150	110	100	80	40	247	122	126	DN40/PN10	15,8	24
D 80/250.40 T	250	125	125	-	204	65	139	150	110	100	80	40	247	122	126	DN40/PN10	15,8	24
D 110/250.40 M	250	122	128	-	231	70	161	150	110	100	80	40	302	149	154	DN40/PN10	16	24
D 110/250.40 T	250	122	128	-	231	70	161	150	110	100	80	40	302	149	154	DN40/PN10	15,8	24